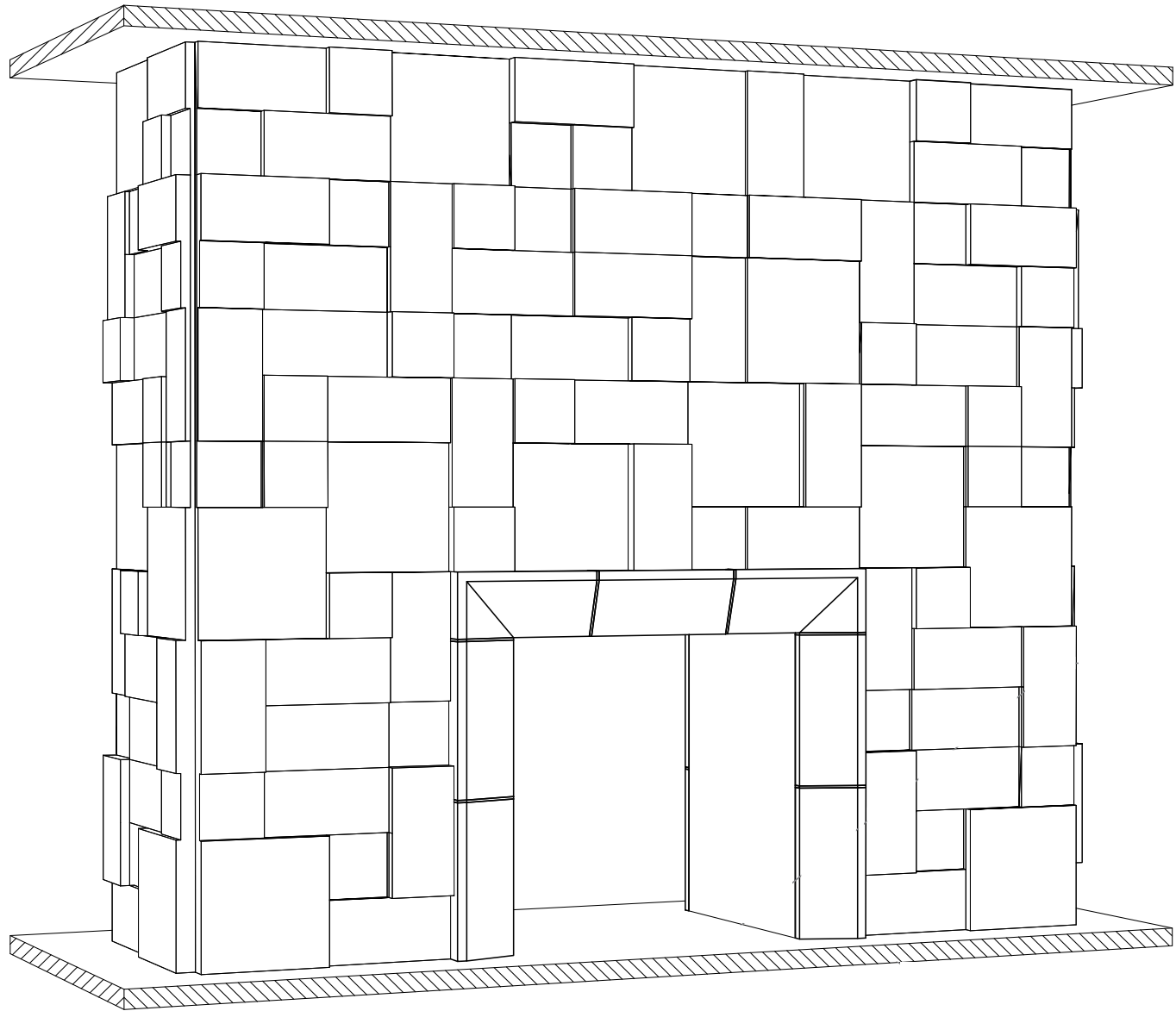


BOULEVARD

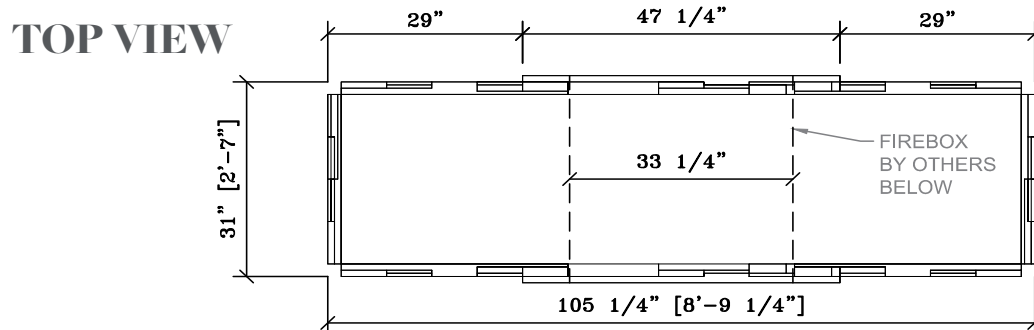
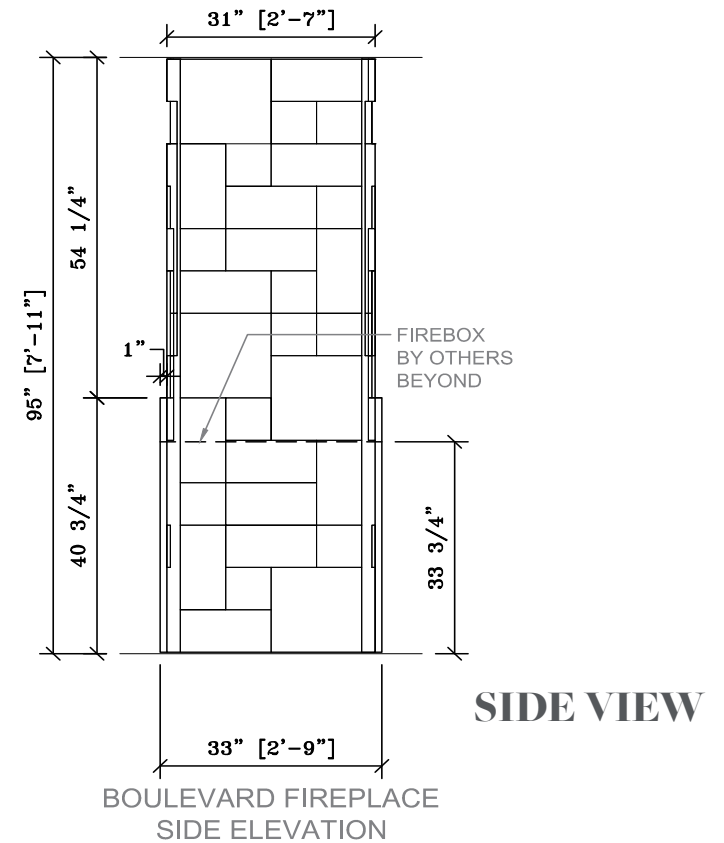
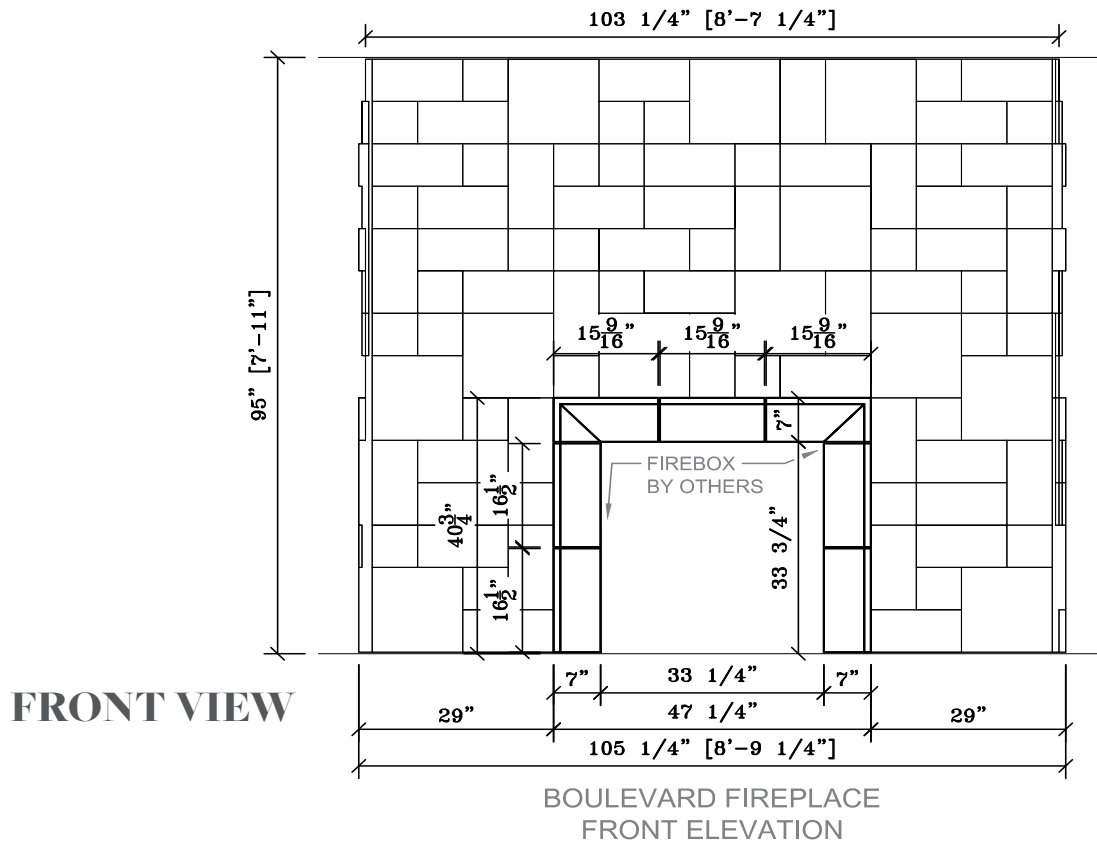


MATERIAL
BESPOKE STONE + TILE

explorematerial.com
210.731.8453

BOULEVARD

Style: Contemporary
Formerly Fireplace #508/509



The modular cladding is randomly placed using 8"x8", 8"x16" and 16"x16" modules. The cladding thickness varies by using 1/2", 1", 1 1/2" and 2" thick pieces where no two adjacent modules are the same thickness.

FPG5B-508 = SINGLE SIDED FIREPLACE
FPG5B-509 = DOUBLE SIDED FIREPLACE (SHOWN)

NOTE: DIMENSIONS MAY HAVE CHANGED SLIGHTLY FROM THE PREVIOUS CONDITION.
DIMENSIONS SHOWN HERE SUPERCEDE ALL PREVIOUS VERISONS OF THIS FIREPLACE.

MATERIAL
BESPOKE STONE + TILE

explorematerial.com
210.731.8453

BOULEVARD

Style: Contemporary
Formerly Fireplace #508/509